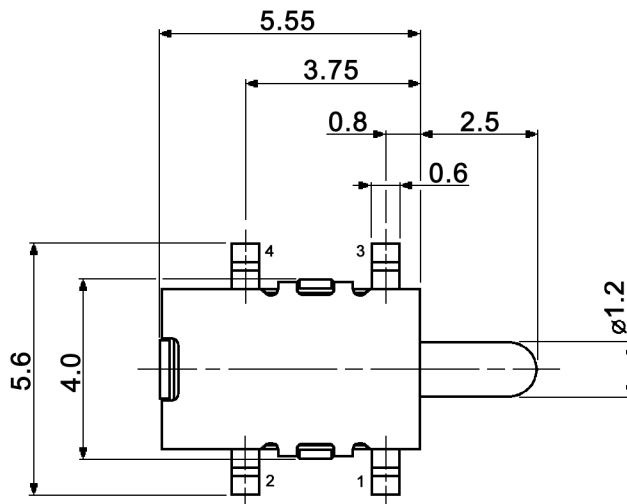
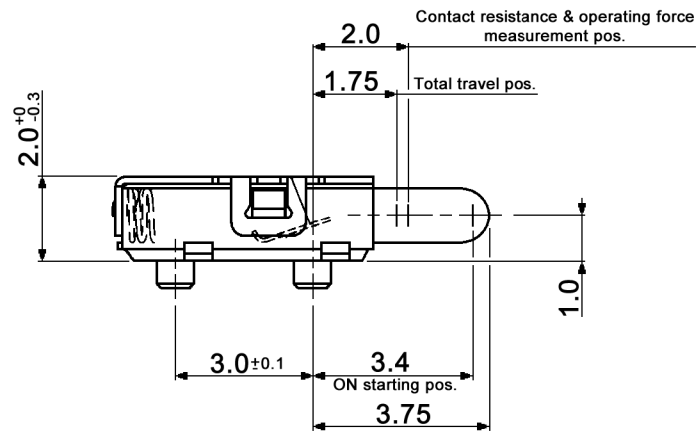
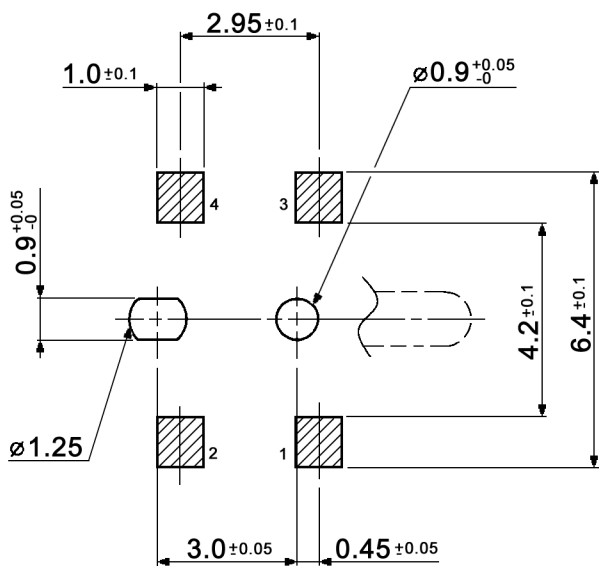


4x **A** common tolerances zone

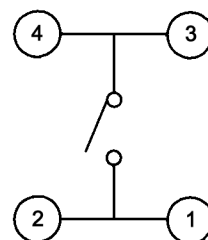
\square 0.1



P.C.B. LAND DIMENSION \oplus 0.05



CIRCUIT DIAGRAM



Compliance: RohS II (2011/65/EU)

Tolerances: up to 10: ±0.2mm above 10-50: ±0.3mm	Date	Name
	03/14	dr
Operating temperature	10/16	dr
Dimensions	09/14	dr
Coating, no grease	07/14	dr
Modifications	Date	Name

DTS 110 CBP-RT-2S-LF

knitter-switch

30 30 82

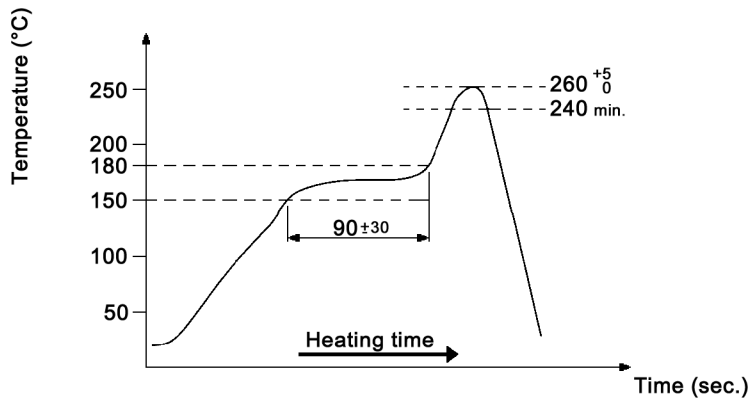
Page

1/3

Specifications:

Contact rating: 1mA, 5V DC
 Contact resistance: 1000mOhm max.
 Insulation resistance: 100Mohm min. at 100V DC for 1 minute
 Dielectric strength: 100V AC (50/60Hz, 2mA) for 1 minute
 Operating temperature: -40°C to +85°C
 Storage temperature: -40°C to +85°C
 Electrical life: 100 000 cycles
 Operating force: 120gf max.
 Material: Spring / cover: stainless steel, natural
 Contact: stainless steel, 0.5µm gold plated with coating
 Case / slider: HTN 94V-0, black
 Terminal: phosphor bronze, 0.5µm gold plated with coating
 Coil spring: stainless steel
 No grease / lubricant

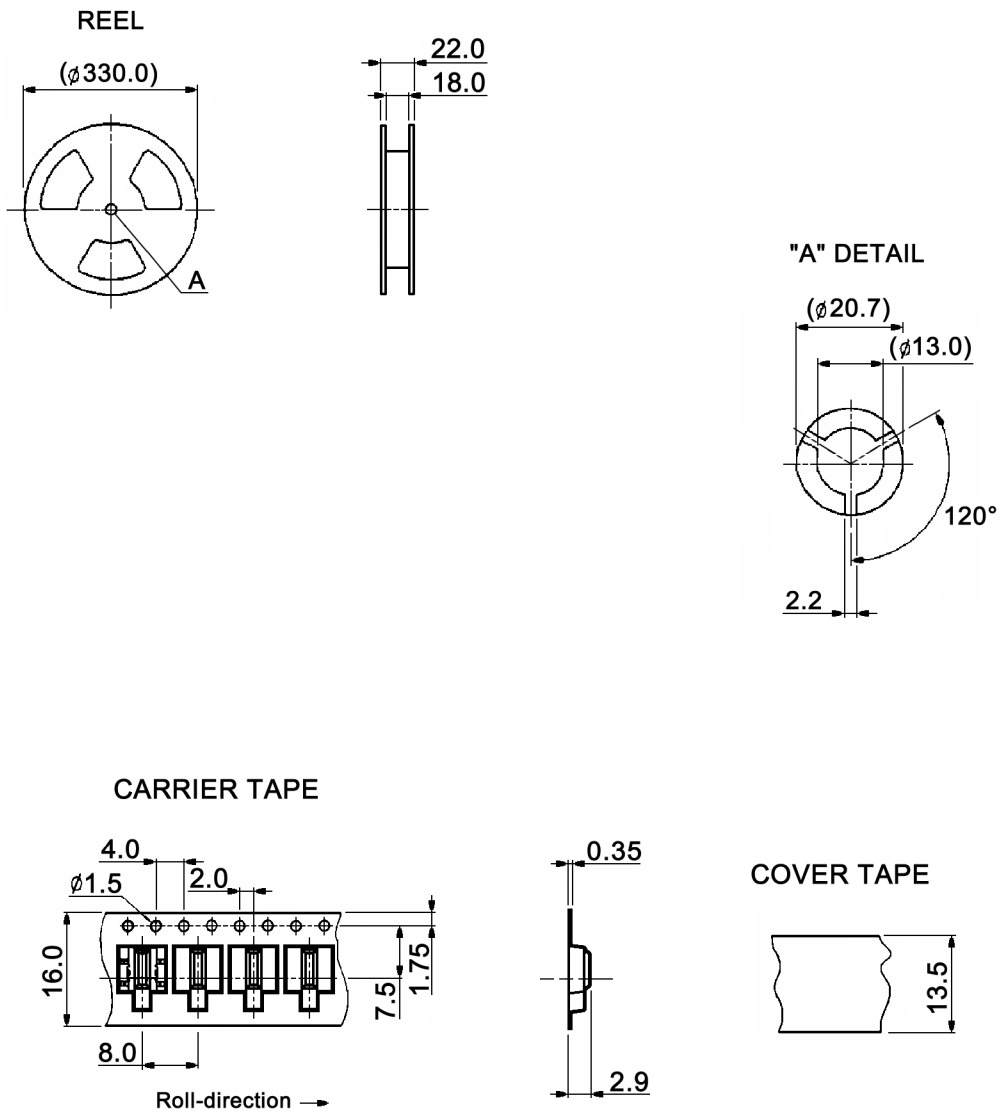
Soldering conditions:



Compliance: RohS II (2011/65/EU)

Tolerances: up to 10: ±0.2mm above 10-50: ±0.3mm		Date	Name	DTS 110 CBP-RT-2S-LF
		03/14	dr	
		knitter-switch		30 30 82
Modifications	Date	Name		Page 2/3

Packaging:



Packaging unit: 3000 pcs. / reel
 Compliance: RohS II (2011/65/EU)

Tolerances: up to 10: ±0.2mm above 10-50: ±0.3mm		Date	Name
		03/14	dr
Modifications	Date	Name	

DTS 110 CBP-RT-2S-LF

knitter-switch

30 30 82

Page

3/3